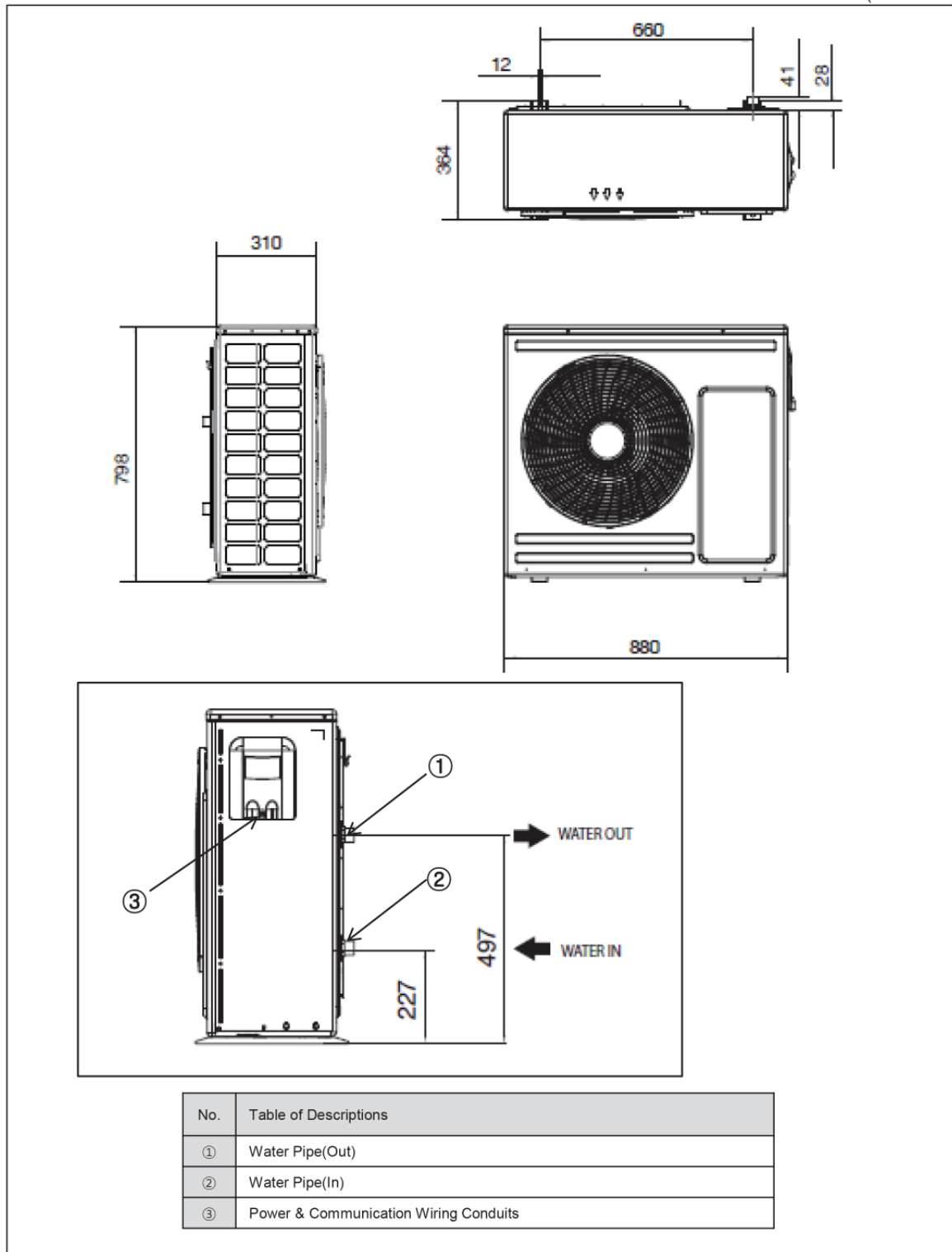


3. Dimensional Drawings

3-1. Outdoor Unit

1) AE050JXYD*H/EU

(Unit : mm)

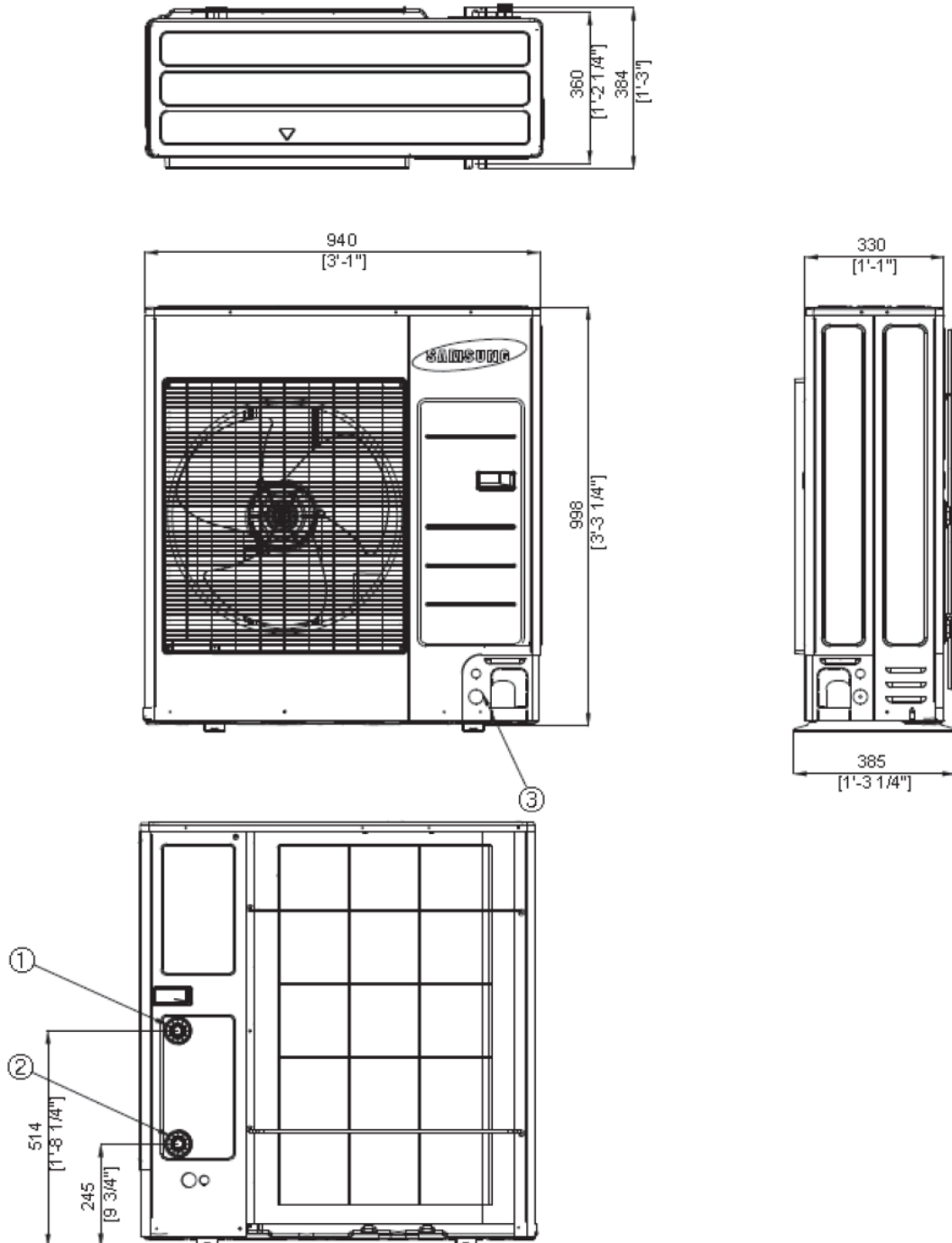


3. Dimensional Drawings

3-1. Outdoor Unit

2) AE090JXYD*H/EU

(Unit : mm)



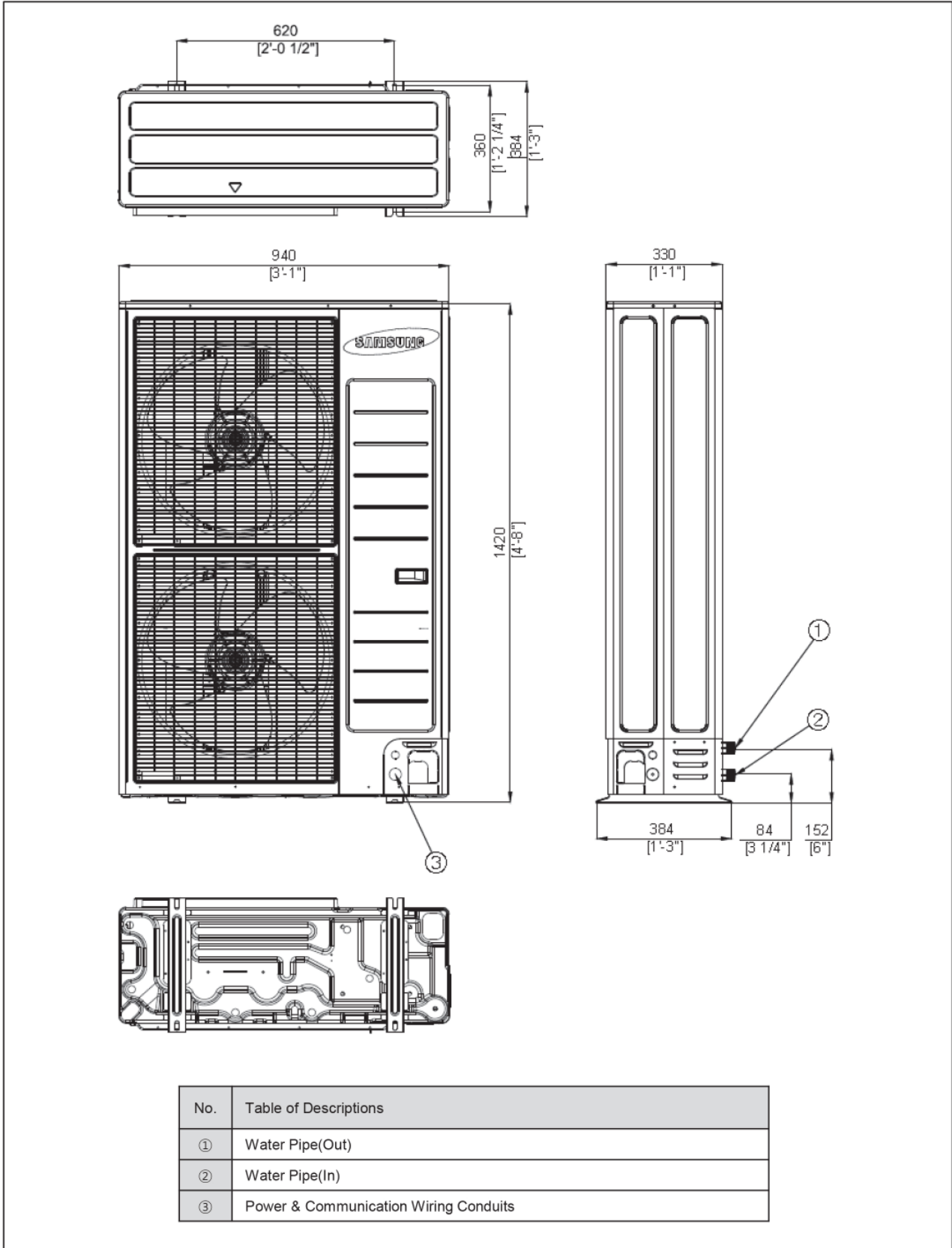
No.	Table of Descriptions
①	Water Pipe(Out)
②	Water Pipe(In)
③	Power & Communication Wiring Conduits

3. Dimensional Drawings

3-1. Outdoor Unit

3) AE120/140/160JXYD*H/EU

(Unit : mm)

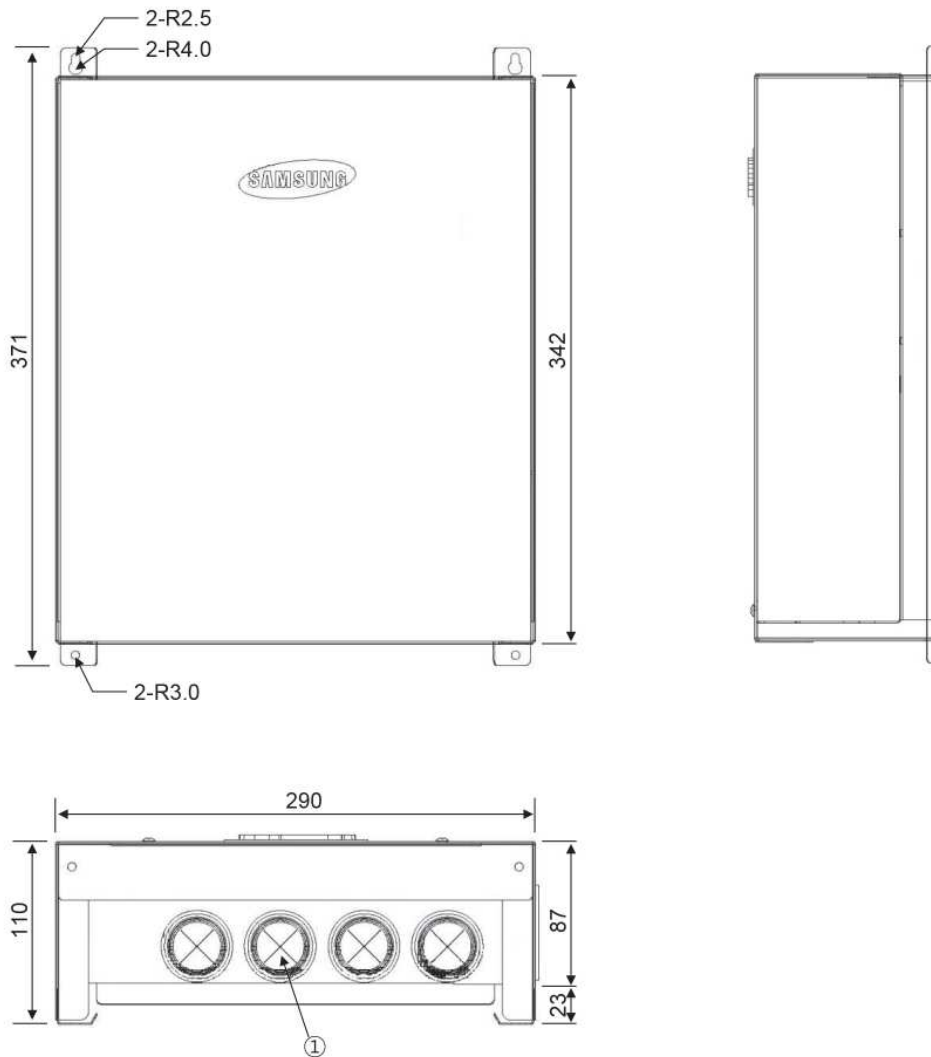


3. Dimensional Drawings

3-2. Control Kit

1) MIM-E03A(B)N

(Unit : mm)



No.	Table of Descriptions
①	Conduit for Wiring (Rubber)