

JOULE HEATING SOLUTIONS

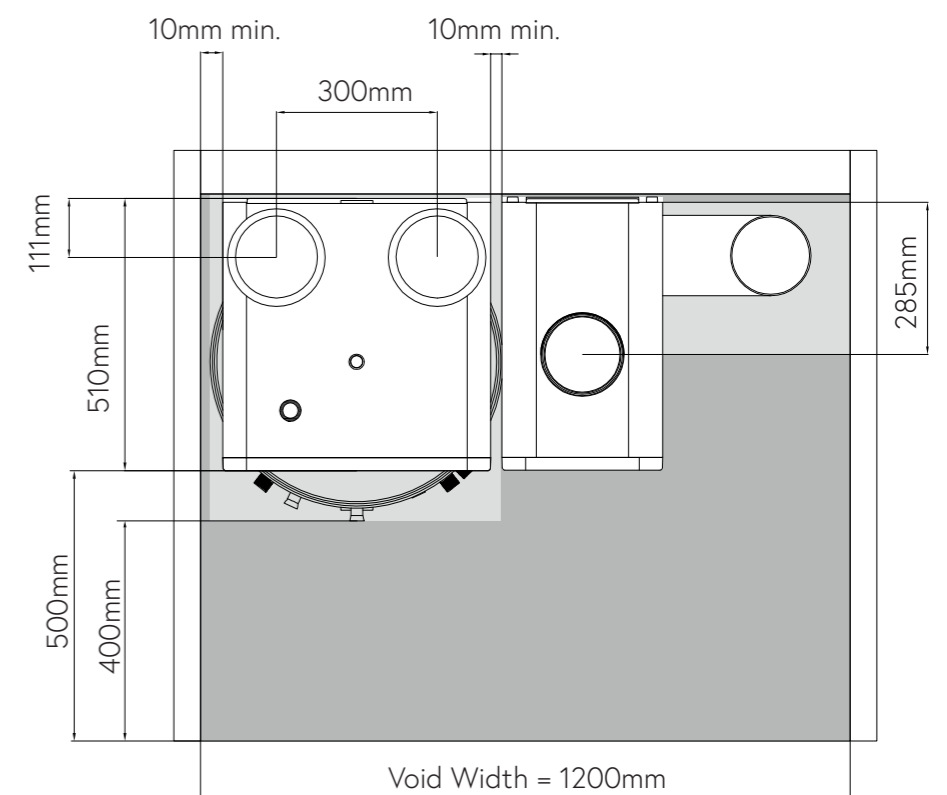
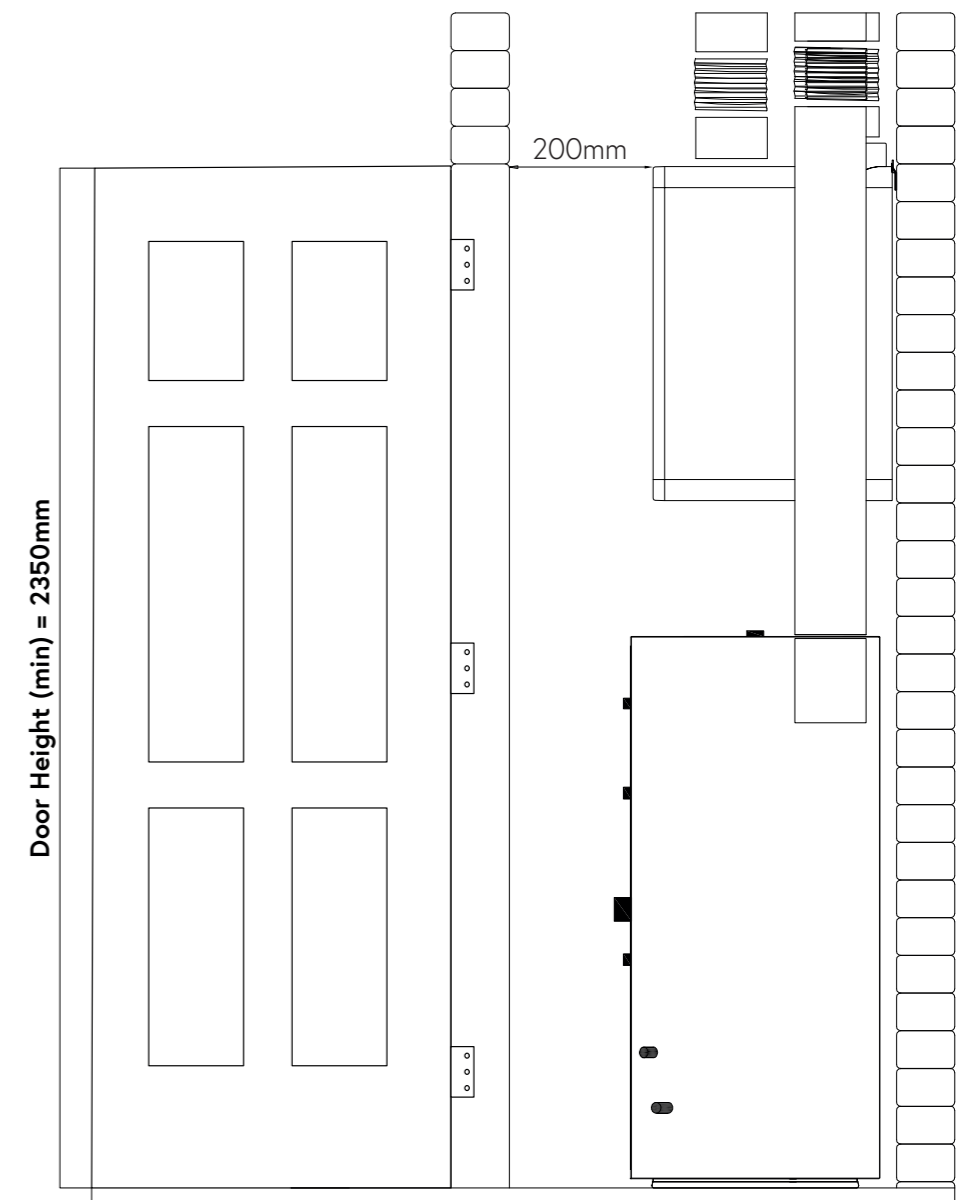
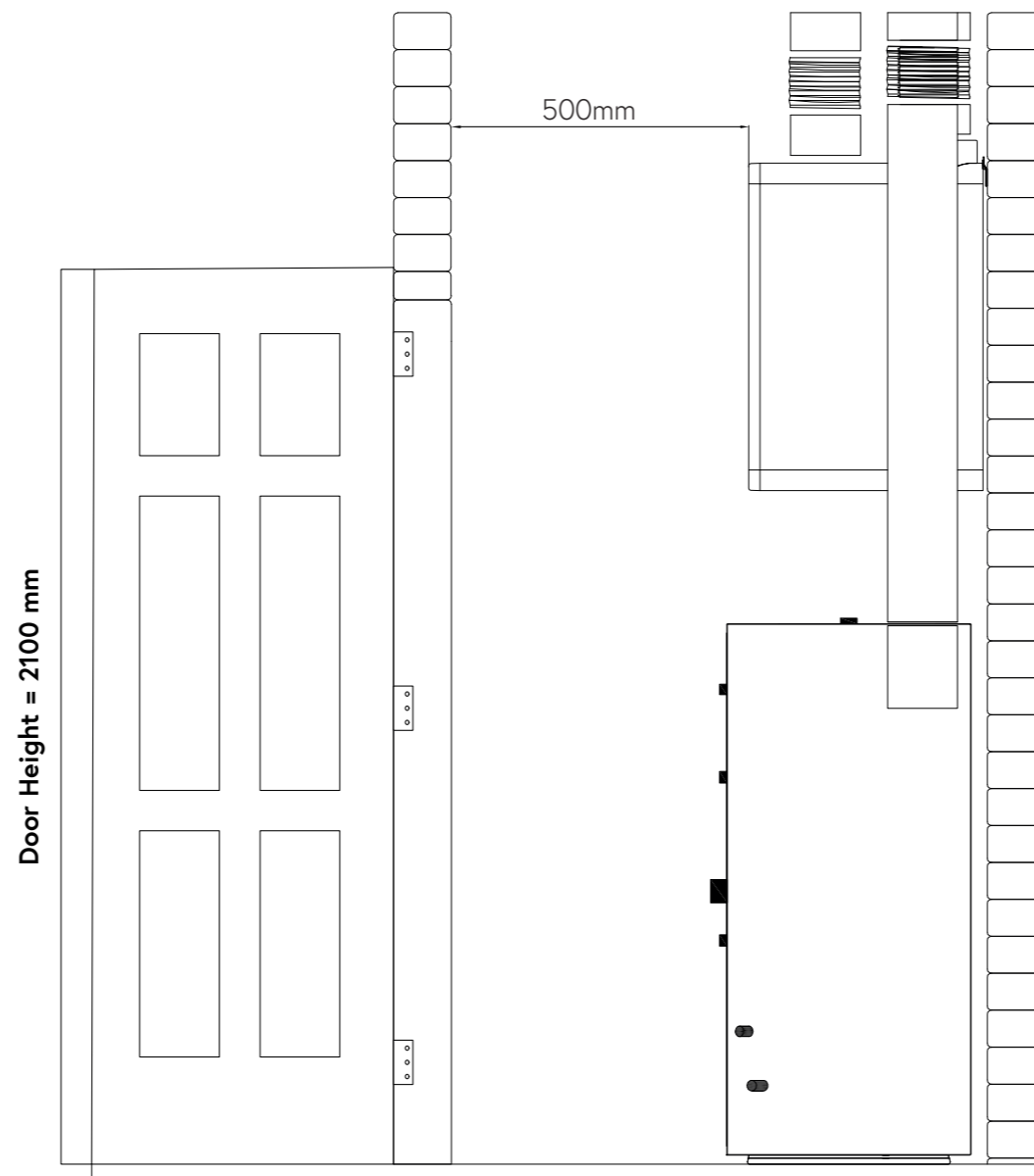
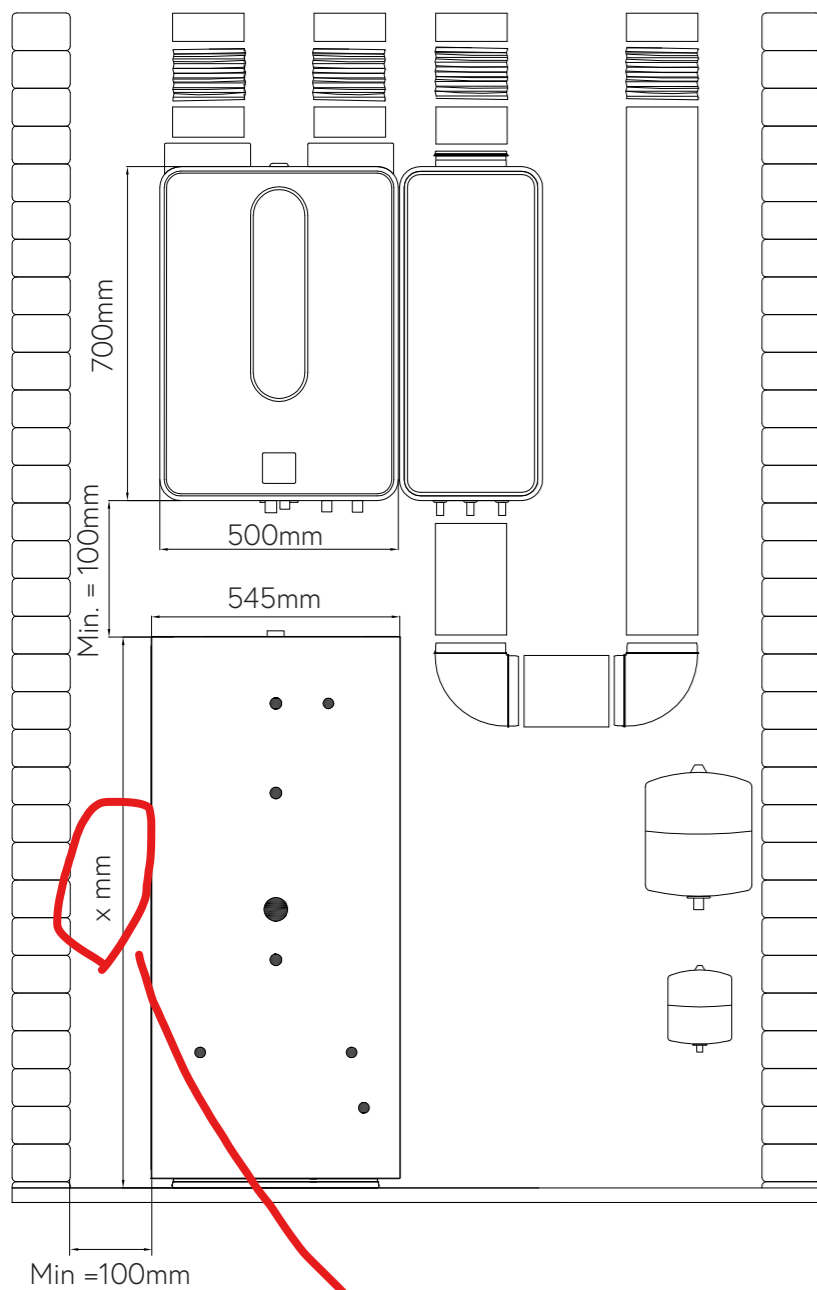
MODULAIR ALL-E + CYLINDER

FOOTPRINT DRAWING



Modul-AIR Cylinders variants:

	TUMA_00150_LFC	H = 1102mm
X	TUMA_00180_LFC	H = 1293mm
	TUMA_00210_LFC	H = 1478mm



JOULE HEATING SOLUTIONS

MODULAIR ALL-E + GC + CYLINDER

FOOTPRINT DRAWING



Modul-AIR Cylinders variants:

	TUMA-00150-LFC	H = 1102mm
X	TUMA-00180-LFC	H = 1293mm
	TUMA-00210-LFC	H = 1478mm