



Spaarpomp

Exhaust Air Heatpump



inventum



Offering sustainable, energy-saving solutions is what drives us every day. In doing so, we look beyond current laws and regulations, our customers' requirements and technological possibilities.

What are the trends and developments we need to take into account? How can we unburden our customers with solutions that are relevant today as well as in the future? These questions fuel our innovation. To ensure that our products today also carry the solutions for tomorrow.

A healthy indoor climate

Keeping the home well-insulated to minimise energy consumption makes controlling indoor air quality very important. Ventilation is crucial to avoid exposure to germs, bacteria and particulate matter. The Inventum Spaarpomp ensures that the home remains well ventilated and that polluted, moist air is removed. This creates a healthy indoor climate for the occupants.

How it works

The Inventum Spaarpomp is a hybrid exhaust air heat pump that works in combination with the central heating boiler. The Spaarpomp uses the exhaust air extracted from the house. The energy from the extracted warm air is reused to heat the central heating water. Thus ensuring that this heat is not wasted. In the colder months, the Spaarpomp cannot heat the house on its own. On these occasions, the central heating boiler is activated to help the Spaarpomp. In other, less cold months, the Spaarpomp does not need help from the boiler and heats the house independently.

Compact

The Inventum Spaarpomp is a hybrid exhaust air heat pump with no outdoor unit that can be easily installed. No large devices in the garden or on the roof, and no hassle and clutter in the attic. And no noise pollution: the sound output is below 40 dB(A). It works in combination with almost any central heating boiler and also ensures a well-ventilated home. In fact, the Spaarpomp serves as a replacement for the ventilation box with the added benefit of saving energy.

Subsidy

The Spaarpomp ensures a healthy indoor climate in the home and also lower energy consumption. Because less energy is consumed, the energy bill will also be reduced. In addition to a reduced energy bill, in 2022 the end user in The Netherlands also receives a €2,250 subsidy on the purchase price; the end user must apply for the subsidy themselves. This subsidy only applies when renovating.

The actual subsidy can be found on <https://www.rvo.nl/subsidies-financiering/isde/woningeigenaren/warmtepomp#apparatenlijst>

The benefits in a nutshell:

- A healthy indoor climate thanks to mechanical ventilation.
- Savings of up to 50% on gas.
- The Spaarpomp is compact and combines with almost any central heating boiler.
- The Spaarpomp is easy to install as no F-gas certificate is required.
- The Spaarpomp has a low investment to reduce CO2 and save energy.
- The end user receives a €2,250 subsidy for renovation in 2022. (ISDE subsidy in The Netherlands)

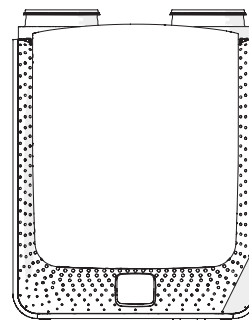
Safe and reliable

That's the certainty Inventum offers. The certainty that we take that extra step every day to help our customers achieve more. We do this by looking farther than today, beyond our products and our own ambitions. This enthusiasm and commitment have formed the basis of our success for over 100 years.

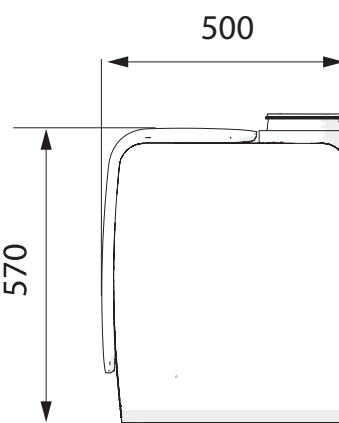
Go for the assurance of over 100 years of innovation

Choosing Inventum means choosing assurance. The assurance that you are opting for a company that understands exactly what you as a professional Dutch customer need and who responds to this with innovative total solutions. Choosing Inventum is choosing a partner that looks beyond today's problem and comes up with a solution for the future. A partner that not only considers your needs but also includes your customer's needs in its recommendations. A partner that looks at how its solutions fit into your total concept. That is what we mean when we say total solution.

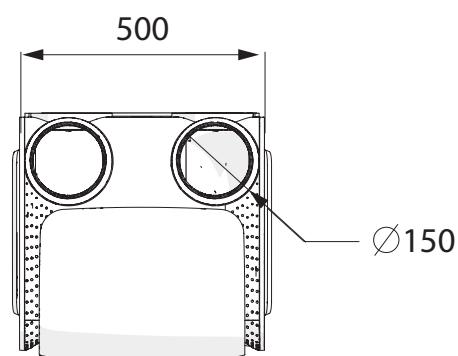
General		Unit
Max. electrical power consumption	Watt	620
Average electrical power consumption	Watt	300
Mains voltage	Volts	230
Maximum delivered thermal power	kWth	1,7
COP (20 °C - 45 °C)		5,0
Dimensions and weight		
Height	mm	570
Width	mm	500
Depth	mm	500
Weight	kg	45
Connections		
Air inlet	mm	150
Air outlet	mm	150
Ventilation volume heat pump operation	m ³ / h	120-250
Max. flow temperature	°C	60
Ventilation volume level 1	m ³ / h	50-350
Ventilation volume level 2	m ³ / h	50-350
Ventilation volume level 3	m ³ / h	50-350
Sound pressure level NEN-EN-ISO 3744	dBa	40,0



Front



Side



Top



Disclaimer

This brochure is a publication by Inventum Technologies B.V. No rights can be derived from this brochure and the examples contained herein. No part of this publication may be reproduced and/or published by means of printing, photocopying, microfilm or any other means without prior written permission from the publisher. Inventum disclaims liability for factual inaccuracies and/or printing errors.

Inventum Technologies B.V.

adres Kaagschip 25, 3991 CS Houten postbus Postbus 275, 3990 GB Houten
tel +31 (0)30 274 84 84 mail info@inventum.com web inventum.com