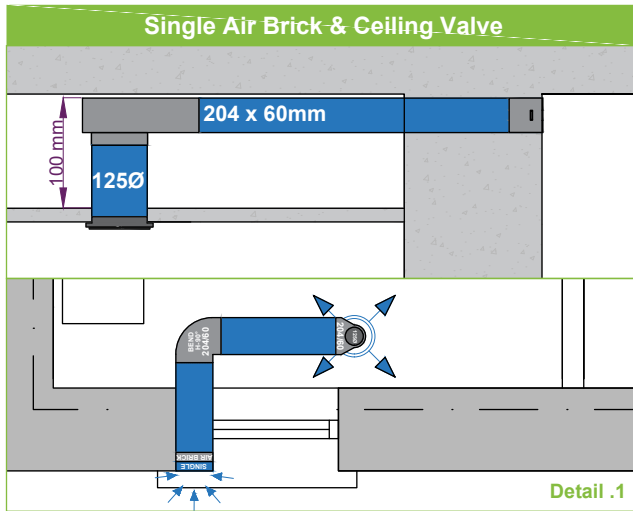


Modul-AIR EAHP Ventilation



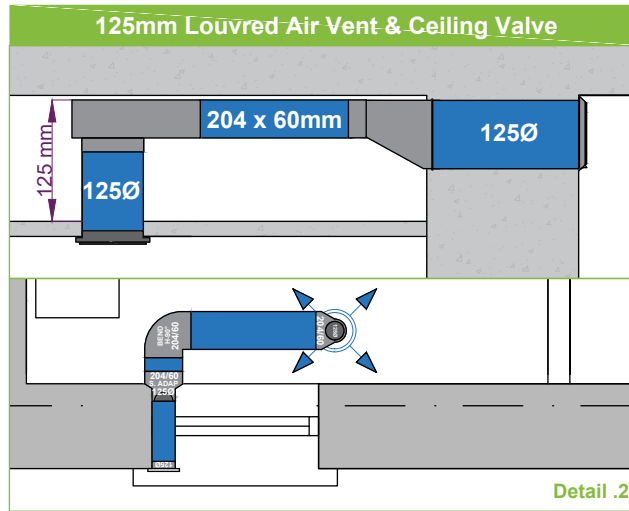
Ducting Install Detail Schematic





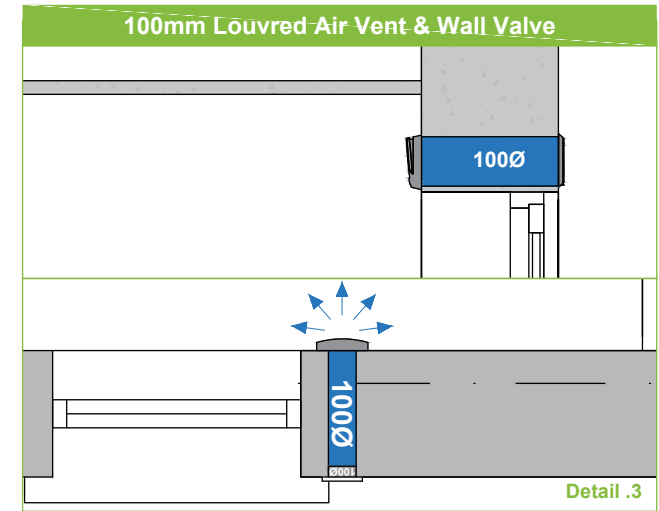
Single Air Brick & Ceiling Valve

Single air brick external vent complete with 204 x 60mm flat pack ducting adapter to terminate internally with a ceiling mounted supply valve.



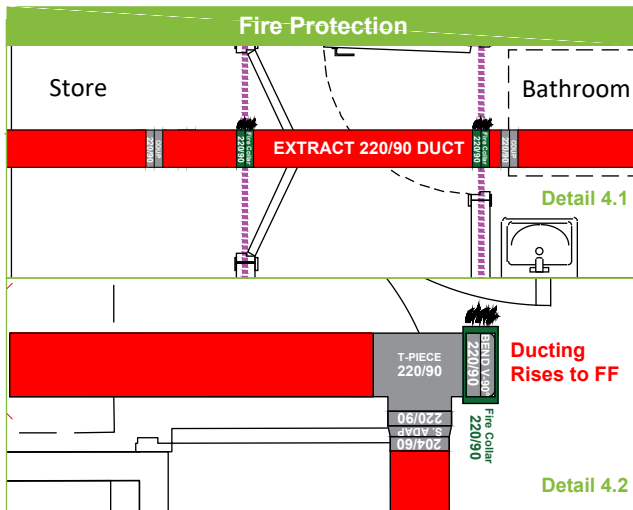
125mm Louvred Air Vent & Ceiling Valve

Louvred 125mm Ø external vent complete with flyscreen. Using 125mm to 204 x 60mm flat pack ducting adapter to terminate internally with a ceiling mounted supply valve internally with a wall mounted supply valve.



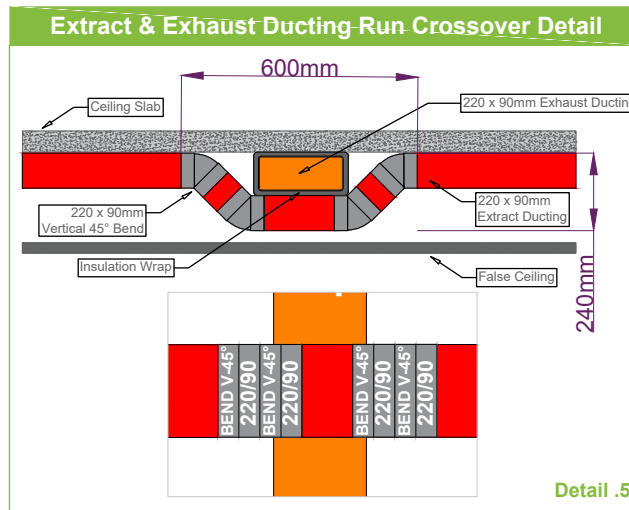
100mm Louvred Air Vent & Wall Valve

Louvred 100mm external vent complete with flyscreen. 100mm ducting in wall terminating internally with a wall mounted supply valve.



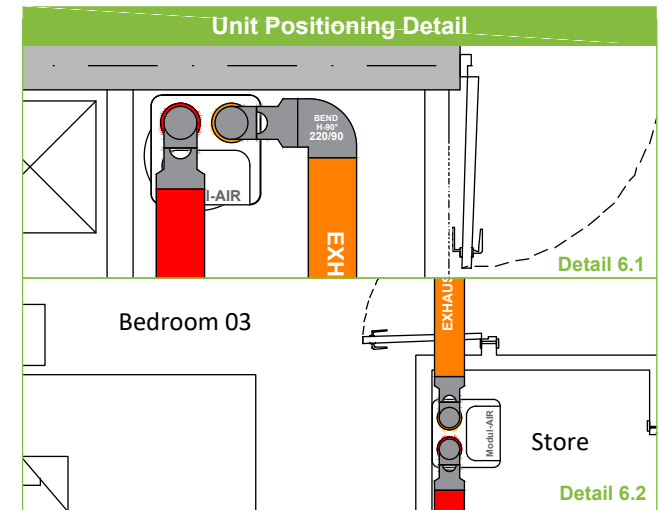
Protected Fire Compartments

If a sprinkler system is NOT present & ducting penetrates a protected fire compartment such as a hallway or through floors correct provisions should be made to maintain the fire rating of this area with fire collars.



Ducting Cross Over Detail

Depending on the location of the EAHP unit or where the exhaust vent terminates it is sometimes necessary for ducting runs to cross one another. In this instance the exhaust run stays flat to the ceiling slab & the extract run crosses underneath using four vertical 45° bends as shown.



Unit Positioning

Unit should ideally be installed on a external partition wall. Unit should never be installed on a internal partition wall adjoining a bedroom.

Modul-AIR - 1 Bed Apartment Ventilation Layout

